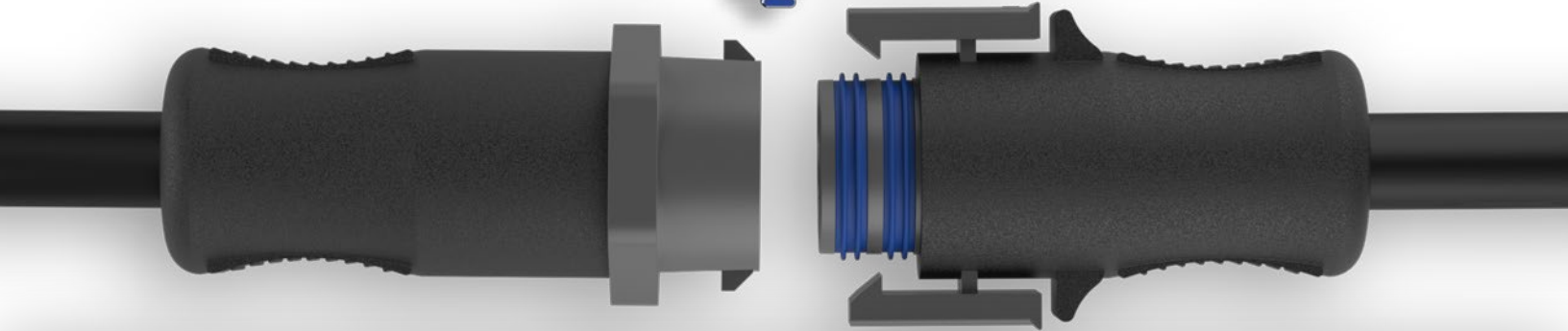
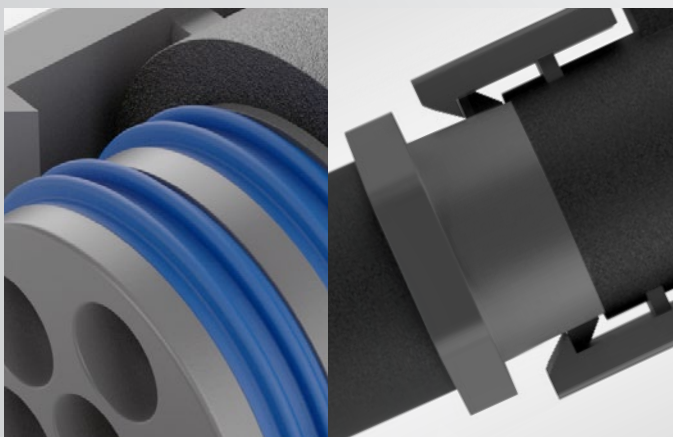


# LTPRO CONNECTING SYSTEM™



## IP68 AND BEYOND

Precise engineering and advanced double-seal technology allows the **LTPRO Connecting System™** to withstand harsh moisture conditions beyond IP68.



## SECURE CONNECTION. EXTENSIVE APPLICATIONS

Not only is the patent-pending **LTPRO Connecting System™** a robust, secure connection, but the up to six conductors allow for multiple application options. Available for in-line and panel-mount options. Can be "daisy-chained" or used alone.

### MULTIPLE APPLICATIONS

*Architectural, Landscape and Outdoor Lighting  
Automotive Aftermarket & other equipment  
Outdoor Signage and LED applications*

### FEATURES & SPECS

- Positive Locking
- **MoistureBlock®** technology built in
- IP68 Protection
- Solid contacts
- **Electrical:** up to 120 V/13A
- **Materials:** TPR, Nylon, Silicone



DESIGNED & MANUFACTURED BY  
**DSM&T Company, Inc.**  
10609 Business Dr., Fontana CA 92337 USA  
800-525-0251 [www.DSMT.com](http://www.DSMT.com)

The Makers of the patented **MoistureBlock®** Technology and these other connecting systems:



PRODUCT AND INFORMATION SUBJECT TO CHANGE WITHOUT NOTICE. REV. 031317

© 2017 DSM&T Co., Inc. All rights reserved. LT Pro Connecting System is a trademark of and manufactured by DSM&T Co., Inc. The DSM&T logo is a trademark of DSM&T Co., Inc. MoistureBlock is a registered trademark of DSM&T Co., Inc. All registered and trademarked brands and names are the property of their respective companies.