

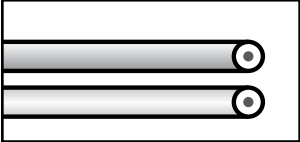
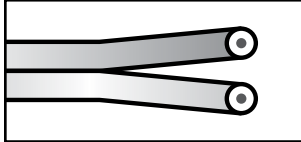
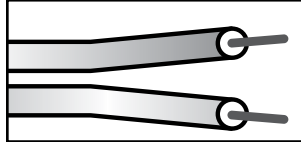
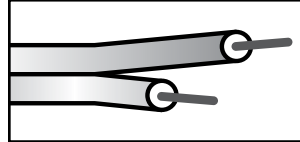
Cord & Wire Termination Options

Everybody loves options


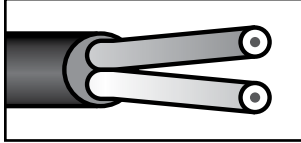
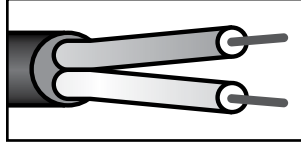
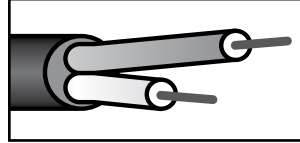
DSM&T offers all the common termination options for your wire harnesses, pig tails and cable assemblies.

Below is a quick Reference Chart to help you decide what termination option is best for you.

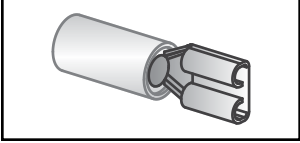
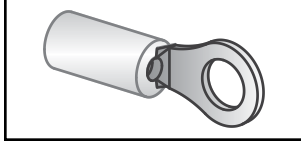
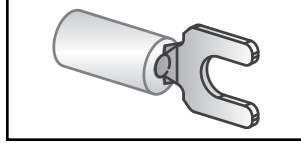
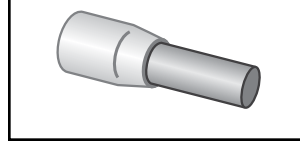
Wire Termination

End Cut	Wire Slit	Wire Strip	Cutback
			
Wire is cut even at the customer specified length.	Where parallel wire is used, ends can be separated from each other to customer specifications	Wire ends are “stripped” of their insulation material to expose the inner copper strands.	Wires are terminated at different lengths according to customer specifications.

Cable Termination

Blunt Cut	Remove Outer Jacket	ROJ & Stripped Wires	Cut Back Wires
			
Cables are cut even at the customer specified length.	The outer insulating cable jacket is removed to expose the inner wires. Length is determined by customer.	Outer cable jacket is removed and wire ends are stripped of insulating material.	Outer cable jacket is removed and wires are cut & terminated at different lengths.

Termination Connectors

Quick Connect	Ring Terminal	Spade/Fork Terminal	Ferrules
			
Available In: <ul style="list-style-type: none">• Un-Insulated• Pre-Insulated• Full Insulated• Right-Angle (Flag)	Used to attach product with screw or bolt. <i>Perfect for a ground connection.</i>	Similar to Ring Terminal, but removeable without completely unscrewing bolt or screw.	For use with Terminal Blocks. Used to crimp and secure bare copper strands.